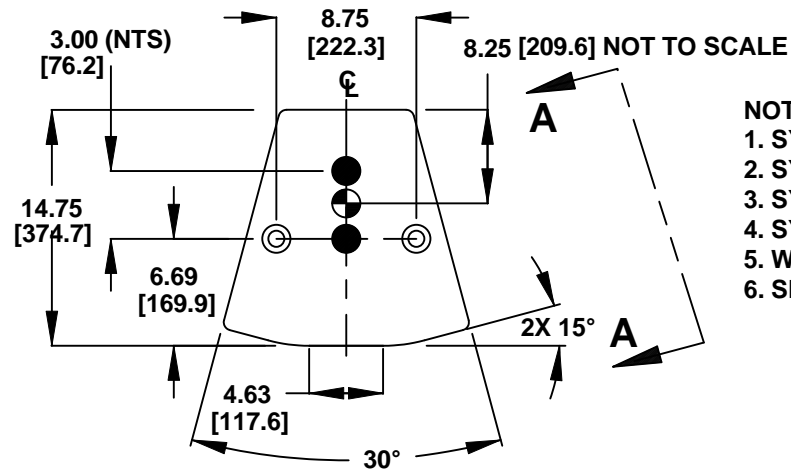
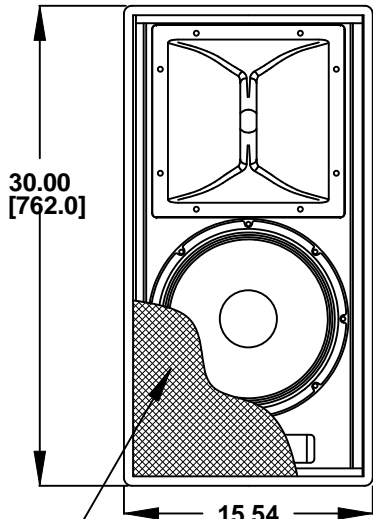


REV	CHANGE NUMBER	DATE
B	ECOWHT8806	7/25/12

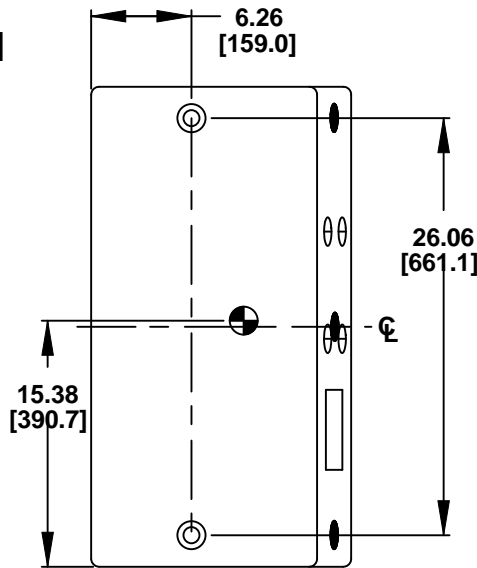


- NOTES:**
1. SYMBOL ● INDICATES MOUNTING POINT, 3/8-16 THREADED HOLE (NUT PLATE).
  2. SYMBOL ⊙ INDICATES MOUNTING POINT, 3/8-16 THREADED HOLE (PI ANGLE).
  3. SYMBOL ⊖ INDICATES MOUNTING POINT, 5/16-18 T-NUT FOR MULTIMOUNT MM-120.0 SERIES.
  4. SYMBOL ⊕ INDICATES CENTER OF BALANCE.
  5. WEIGHT APPROX. 60 lb [27.2 kg].
  6. SHIPPING WEIGHT APPROX. 70 [31.8 kg].

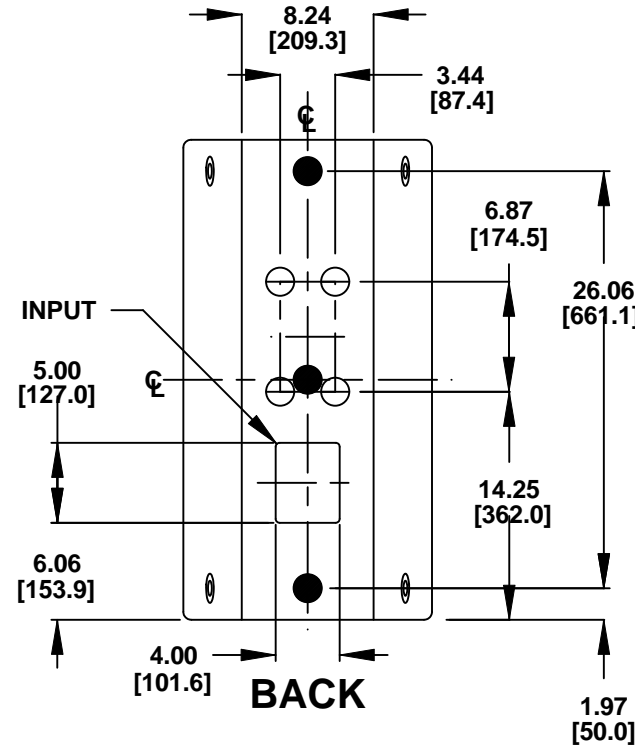
**TOP/BOTTOM**



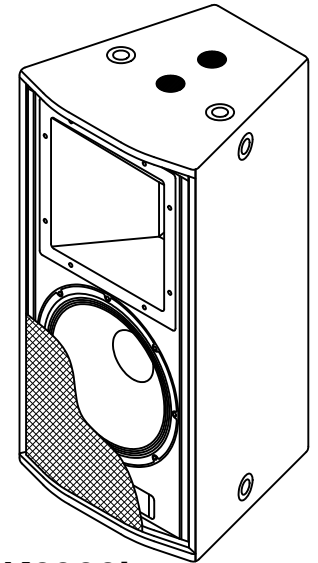
**FRONT**  
GRILLE PARTIALLY SHOWN



**VIEW A-A**  
DIMENSIONS APPLY TO BOTH SIDES



**BACK**



**MK2300i**

<p>THIRD ANGLE PROJECTION</p>	<p>UNLESS OTHERWISE SPECIFIED: ALL DIMENSIONS ARE IN INCHES DUAL [MM] DIMENSIONS FOR REF ONLY</p>	<p><b>EAW</b> www.eaw.com</p>	
	<p>TOLERANCES LINEAR ± 0.13 in/ ± 3.3 mm ANGLES ± 1°</p> <p>(X.XX) = REF DIMS NO TOLERANCE IMPLIED</p> <p>TSC=THEORETICAL SHARP CORNER</p> <p>DIMENSIONS ACROSS CENTERLINES TO BE SYMMETRICAL</p>	<p>TITLE: DWG CUSTOMER MK2300i SERIES [MECHANICAL SPECIFICATION]</p>	
<p>THE INFORMATION CONTAINED HEREIN IS PROPRIETARY AND CONFIDENTIAL PROPERTY OF LOUD TECHNOLOGIES, INC. ALL RIGHTS RESERVED</p>	<p><b>A</b> SHEET 1 OF 1</p>	<p>SCALE: 1 TO 12</p>	<p>REVISION: <b>B</b></p>
<p>DRAWING NUMBER: 2039739-CD</p>		<p>VELLUM</p>	