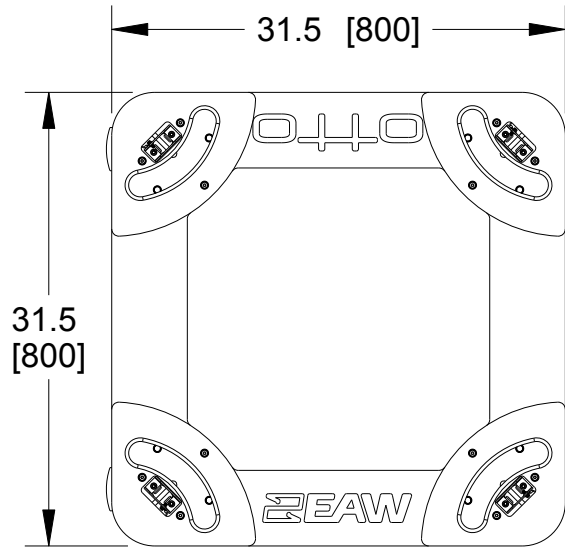


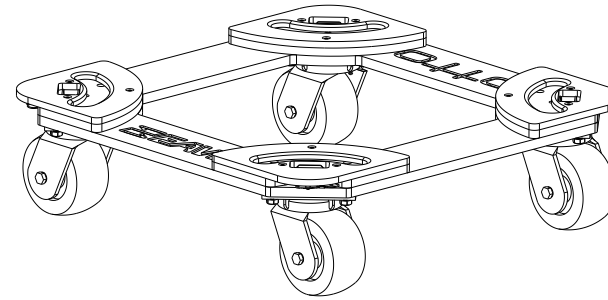
NOTES:

1. WEIGHT APPROX. 90 lb [40.8 kg]

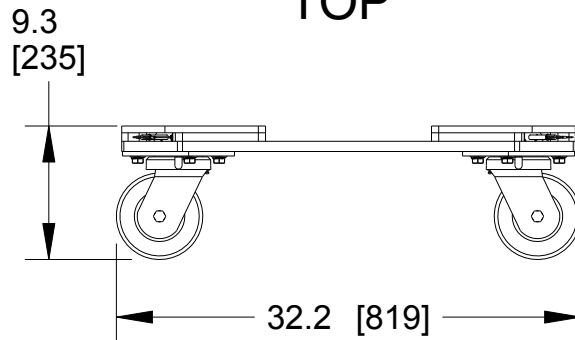
REV	CHANGE NUMBER	DATE
A	ECOWH10023	7/11/2014



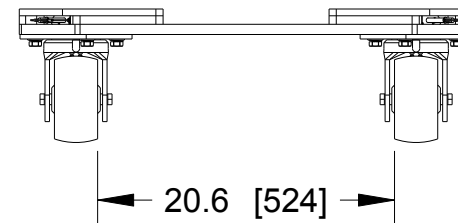
TOP



OTTO PALLET

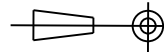


FRONT



SIDE

THIRD ANGLE PROJECTION



THE INFORMATION CONTAINED
HEREIN IS PROPRIETARY AND
CONFIDENTIAL PROPERTY OF
LOUD TECHNOLOGIES, INC.
ALL RIGHTS RESERVED

UNLESS OTHERWISE SPECIFIED:
ALL DIMENSIONS ARE IN INCHES
DUAL [MM] DIMENSIONS
FOR REF ONLY

TOLERANCE IN INCHES
LINEAR ± 0.13 in / ± 3.3 mm
ANGLES $\pm 1^\circ$

(X.XX) = REF DIMS
NO TOLERANCE IMPLIED

TSC = THEORETICAL SHARP CORNER

DIMENSIONS ACROSS CENTERLINES
TO BE SYMMETRICAL

EAW www.eaw.com

TITLE:
DWG CUSTOMER
CASTER PALLET OTTO
[MECHANICAL SPECIFICATION]

A

SHEET 1 OF 1

SCALE:
0.075

DRAWING NUMBER:
2044455-XX

REVISION:
A