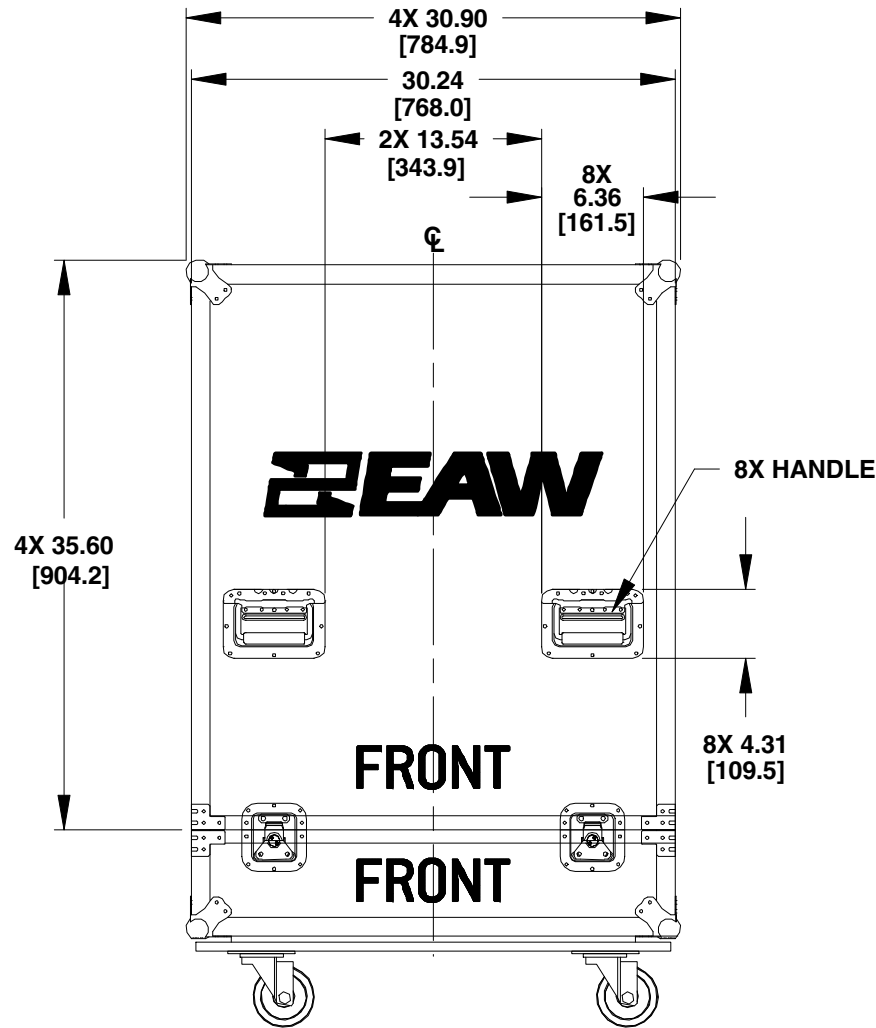
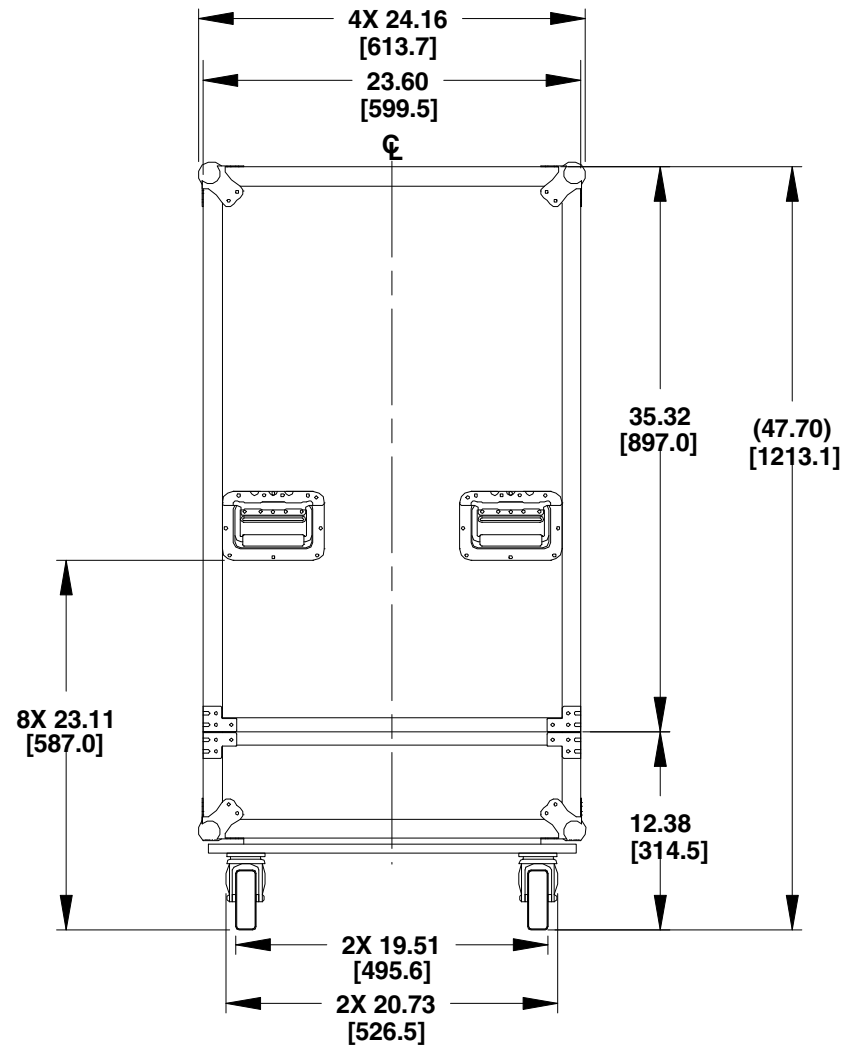


REV	CHANGE NUMBER	DATE
A	ECOWH11660	2/1/17



**FRONT/BACK**  
 SILKSCREEN ON FRONT ONLY

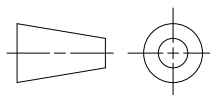


**LEFT/RIGHT SIDE**

**NOTES:**

- 1. WEIGHT APPROX. 97 lb [44.0 kg]**
- 2. SHIPPING WEIGHT APPROX. 101 lb [45.8 kg]**

THIRD ANGLE PROJECTION



THE INFORMATION CONTAINED  
 HEREIN IS PROPRIETARY AND  
 CONFIDENTIAL PROPERTY OF  
 LOUD TECHNOLOGIES, INC.  
 ALL RIGHTS RESERVED

UNLESS OTHERWISE SPECIFIED:  
 ALL DIMENSIONS ARE IN INCHES  
 DUAL [MM] DIMENSIONS  
 FOR REF ONLY

TOLERANCES  
 LINEAR ± 0.13 in/ ± 3.3 mm  
 ANGLES ± 1°

(X.XX) = REF DIMS  
 NO TOLERANCE IMPLIED

TSC=THEORETICAL SHARP CORNER

DIMENSIONS ACROSS CENTERLINES  
 TO BE SYMMETRICAL

**BEAW** www.eaw.com

TITLE:  
 DWG CUSTOMER  
 ACC ROADCASE RSX208L

<b>A</b>	SHEET 1 OF 1	SCALE: 1 TO 12
----------	--------------	----------------

DRAWING NUMBER: 2047368-CD	REVISION: A
-------------------------------	----------------