

1

2

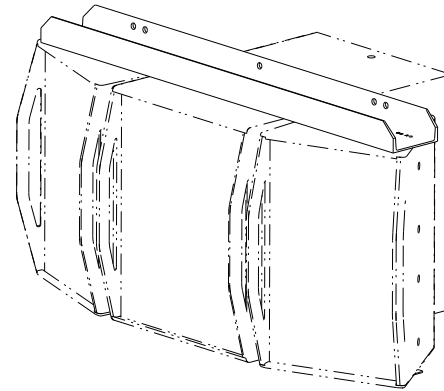
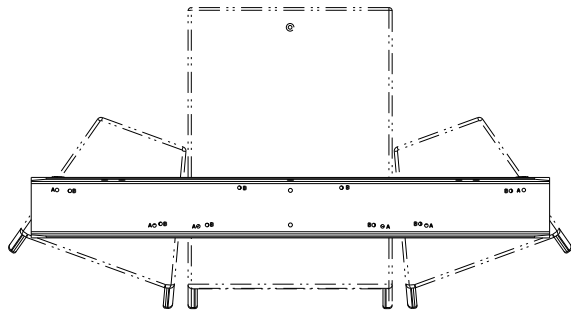
3

4

REV	CHANGE NUMBER	DATE
A	ECOWHT8217	1/27/12

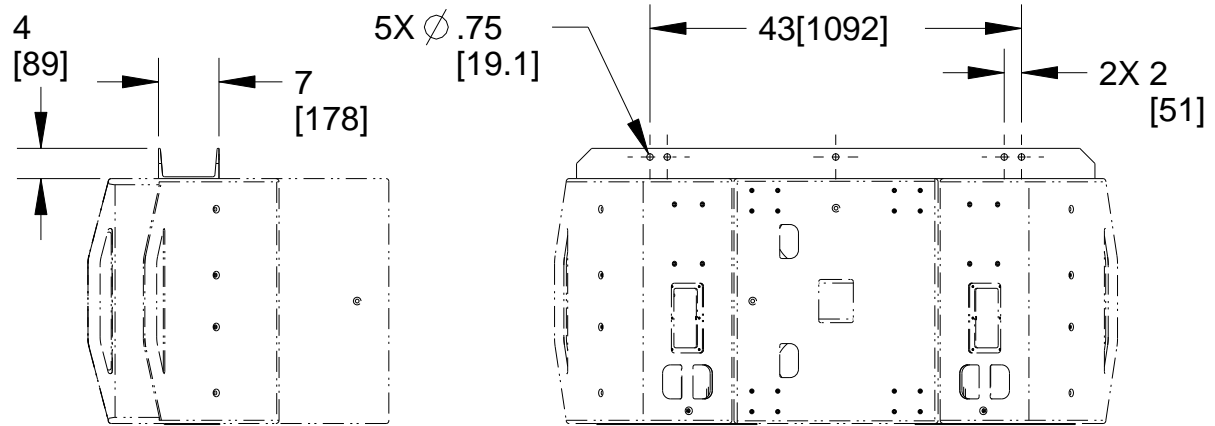
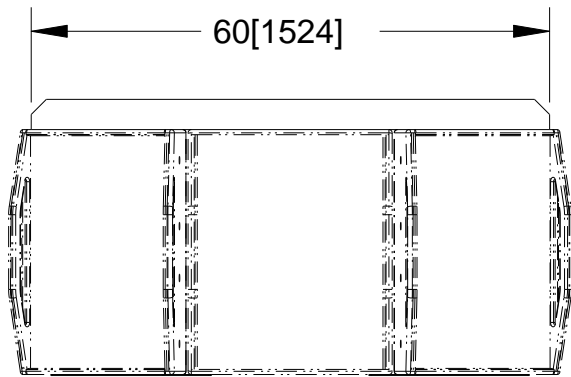
C

C



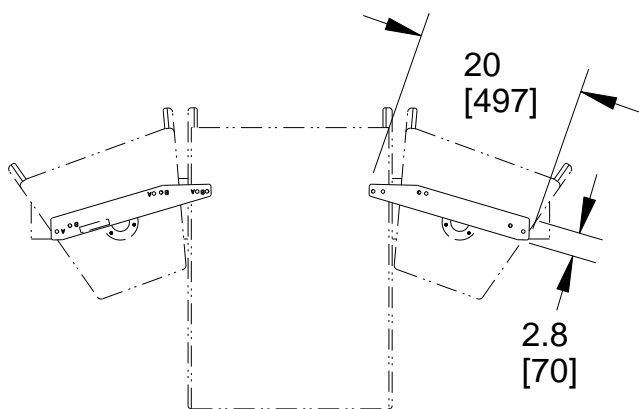
B

B



A

A



NOTES:

1. ALL HARDWARE NECESSARY FOR MOUNTING TO THE LOUDSPEAKERS IS INCLUDED IN THE KIT.
2. FOR USE WITH MK5300 SERIES/SBK250 OR SBK180 AND VFR159/VFS250, 60° HORIZONTAL COVERAGE ONLY.
3. TOTAL WEIGHT OF KIT IS APPROXIMATELY 26 lb [11.8 kg]
4. TOTAL SHIPPING WEIGHT OF KIT IS APPROXIMATELY 32 lb [14.5 kg]
4. LOUDSPEAKERS NOT INCLUDED.
5. USE "A" HOLES WITH MK/SBK AND "B" HOLES WITH VFR/VFS ARRAY.

<p>THIRD ANGLE PROJECTION</p>	<p>UNLESS OTHERWISE SPECIFIED: ALL DIMENSIONS ARE IN INCHES DUAL [MM] DIMENSIONS FOR REF ONLY</p> <p>TOLERANCE IN INCHES LINEAR ± 0.13 in / ± 3.3 mm ANGLES ± 1°</p> <p>(X.XX) = REF DIMS NO TOLERANCE IMPLIED</p> <p>TSC = THEORETICAL SHARP CORNER</p> <p>DIMENSIONS ACROSS CENTERLINES TO BE SYMMETRICAL</p>	<p>EAW www.eaw.com</p>	
		<p>TITLE: DWG CUSTOMER FLYBAR SBK-MK53 VFS-VFR159 [FB5VSK] [MECHANICAL SPECIFICATION]</p>	
<p>THE INFORMATION CONTAINED HEREIN IS PROPRIETARY AND CONFIDENTIAL PROPERTY OF LOUD TECHNOLOGIES, INC. ALL RIGHTS RESERVED</p>	<p>A SHEET 1 OF 1 SCALE: 0.045</p>		<p>REVISION: A</p>
	<p>DRAWING NUMBER: 2038320-CD</p>		<p>PRO ENGINEER</p>

1

2

3

4

PRO ENGINEER