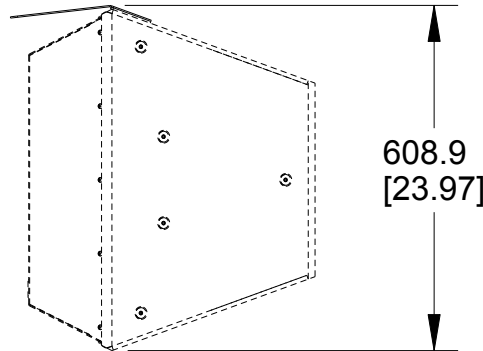
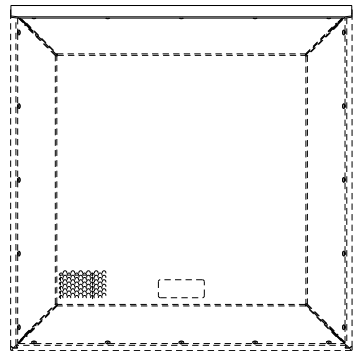
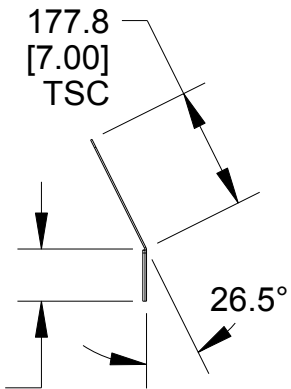
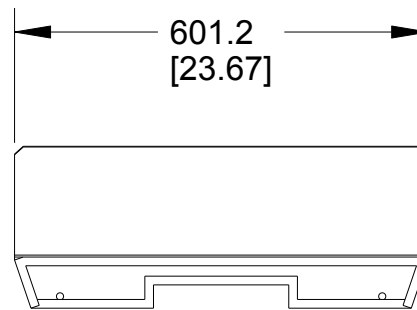
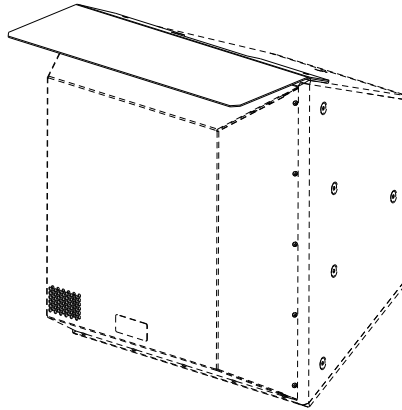
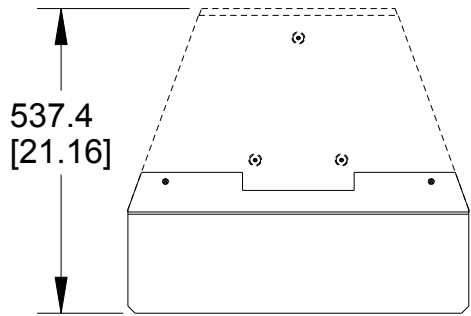


NOTES:

1. APPROX. WEIGHT 1 kg [2.2 lb.]
2. APPROX. SHIPPING WEIGHT 4 kg. [8.8 lb.]
3. SOME WP APPLICATIONS MAY NOT REQUIRE A RAINSHIELD. CONSULT EAW APPLICATIONS SUPPORT GROUP FOR FURTHER INFORMATION.
4. LOUDSPEAKER NOT INCLUDED.

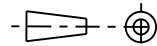
REV	CHANGE NUMBER	DATE
A	ECOWHT9364	4/15/13



WPSQX3

WPSQX3 AS INSTALLED

THIRD ANGLE PROJECTION



THE INFORMATION CONTAINED
HEREIN IS PROPRIETARY AND
CONFIDENTIAL PROPERTY OF
LOUD TECHNOLOGIES, INC.
ALL RIGHTS RESERVED

UNLESS OTHERWISE SPECIFIED:
ALL DIMENSIONS ARE IN MILLIMETERS
DUAL [INCHES] DIMENSIONS
FOR REF ONLY

TOLERANCE IN MILLIMETERS
LINEAR $\pm 3.3 \text{ mm} / \pm 0.13 \text{ in}$
ANGLES $\pm 1^\circ$

(X.XX) = REF DIMS
NO TOLERANCE IMPLIED

TSC = THEORETICAL SHARP CORNER

DIMENSIONS ACROSS CENTERLINES
TO BE SYMMETRICAL

EAW www.eaw.com

TITLE: DWG CUSTOMER
KIT RAINSHIELD [ACC-WPSQX3]
[MECHANICAL SPECIFICATION]

A

SHEET 1 OF 1

SCALE:
0.075

DRAWING NUMBER:

2042373-CD

REVISION:

A

PRO ENGINEER