

1

2

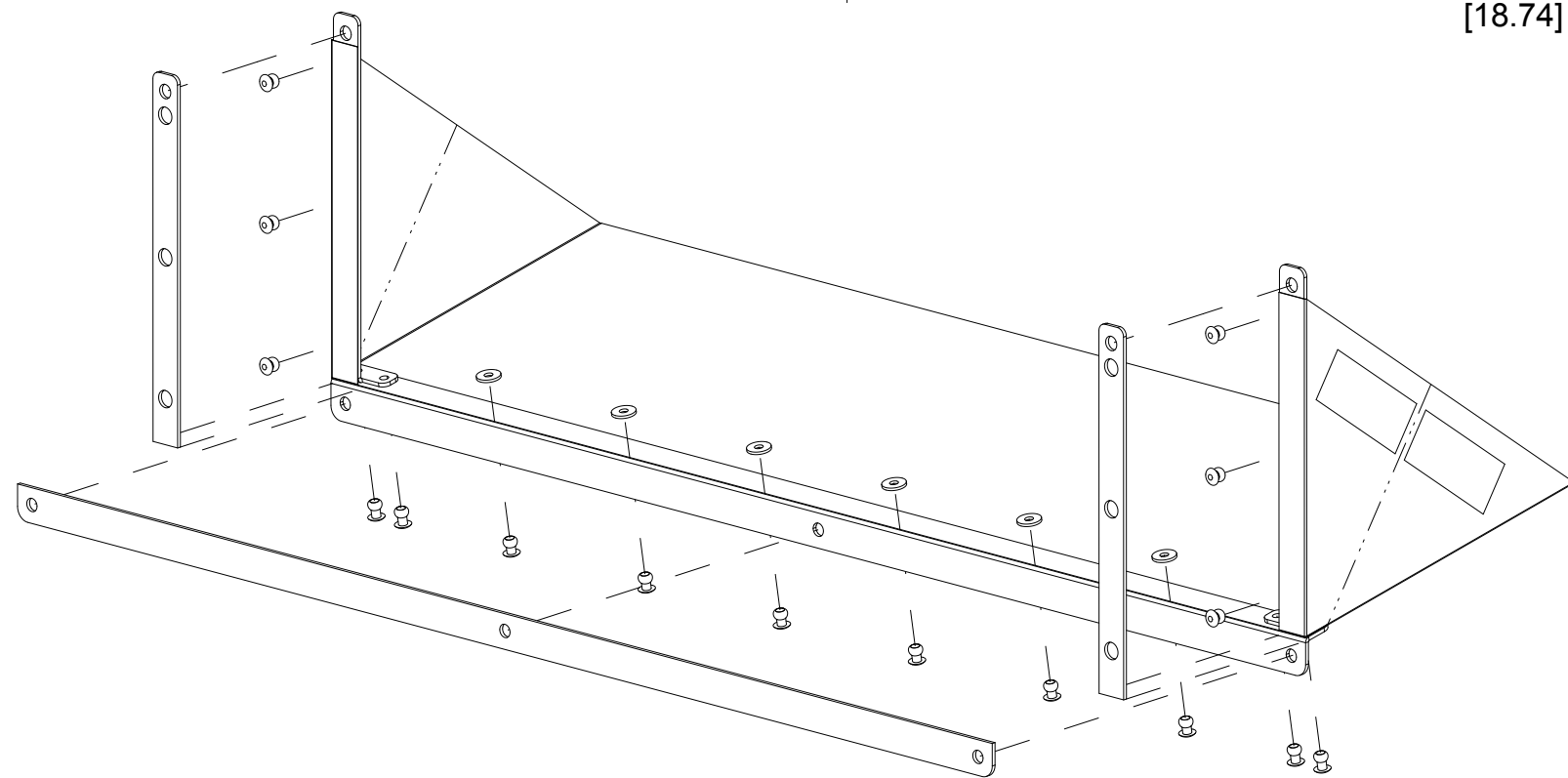
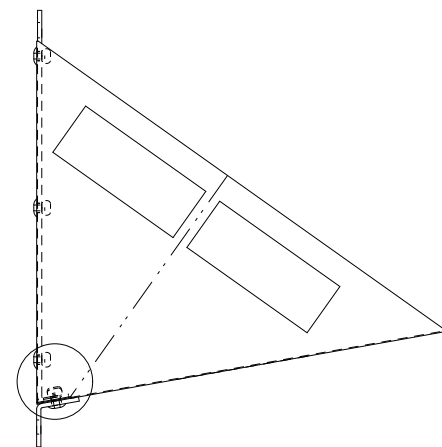
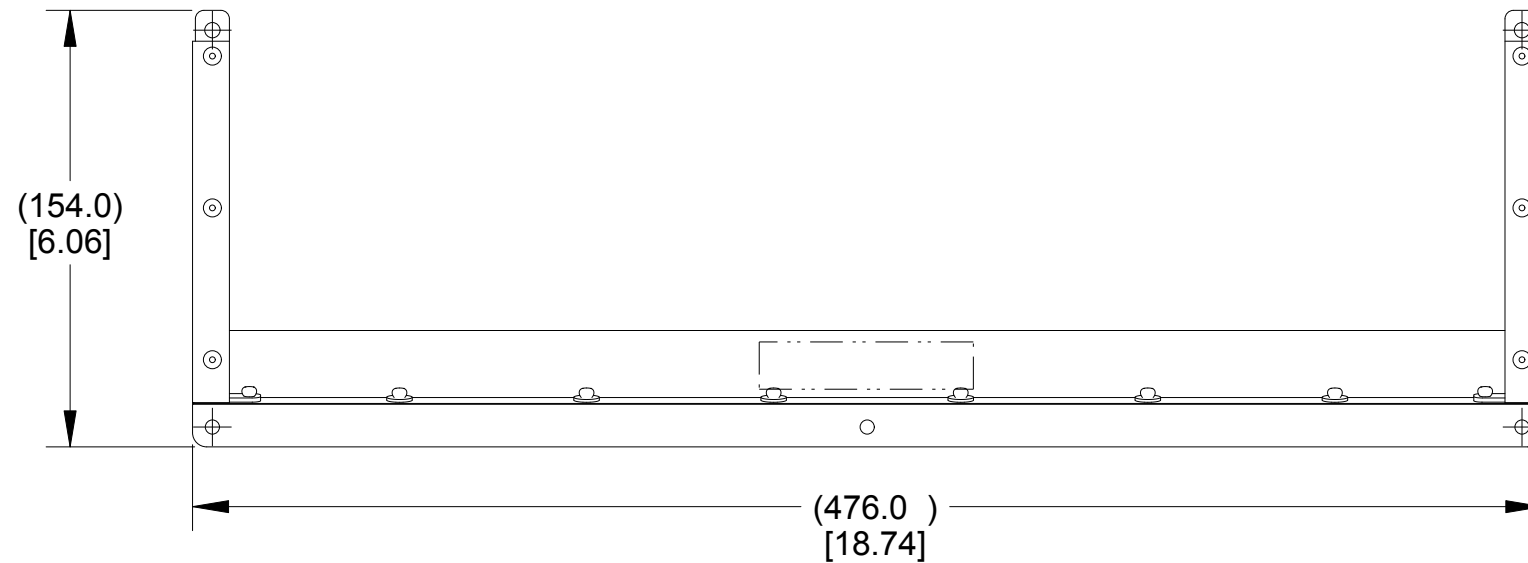
3

4

5

6

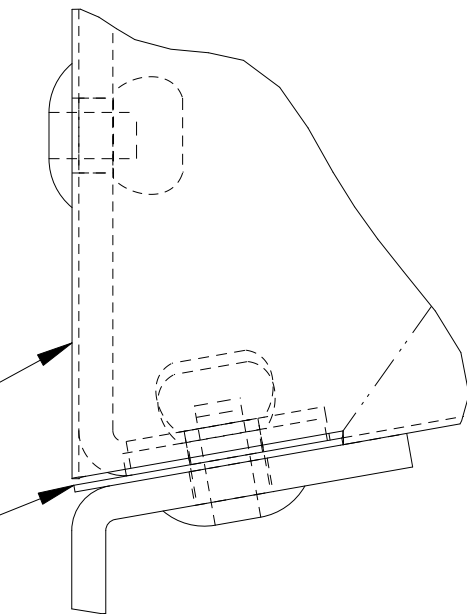
REV	DESCRIPTION
A	



SCALE 3.000

FABRIC TO BE OUTSIDE OF VERTICAL BRACKETS AT EACH END

FABRIC SANDWICHED BETWEEN HORIZONTAL AND VERTICAL BRACKETS AT EACH END



EAW EASTERN ACOUSTIC WORKS
ONE MAIN STREET
WHITINSVILLE, MA 01588 USA

TITLE: DWG ASSY RAINSHIELD HORZ RSX		
B	SHEET 1 OF 1	SCALE: 0.375
DRAWING NUMBER: 2047186		REVISION: A

1

2

3

4

5

6