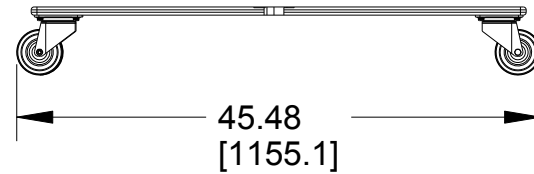
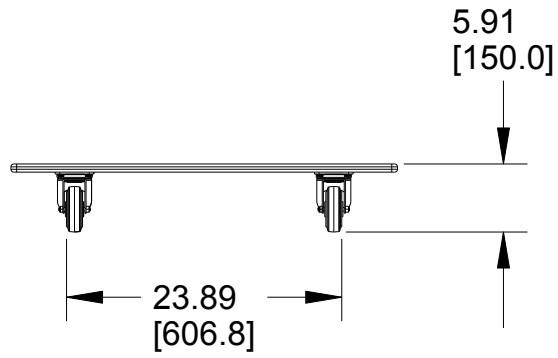
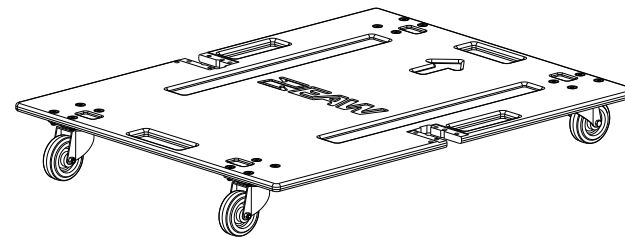
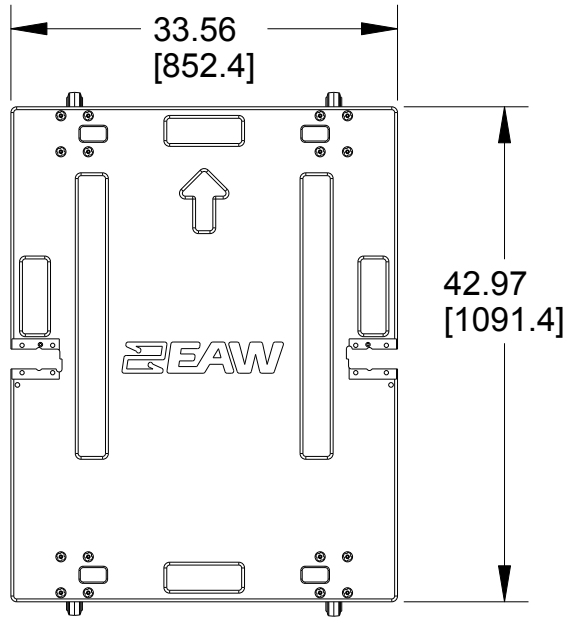
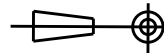


NOTES:
 1. WEIGHT APPROX. 33.8 lb [15 kg].

REV	CHANGE NUMBER	DATE
B	ECOWHT6447	6/14/10



THIRD ANGLE PROJECTION



THE INFORMATION CONTAINED
 HEREIN IS PROPRIETARY AND
 CONFIDENTIAL PROPERTY OF
 LOUD TECHNOLOGIES, INC.
 ALL RIGHTS RESERVED

UNLESS OTHERWISE SPECIFIED:
 ALL DIMENSIONS ARE IN INCHES
 DUAL [MM] DIMENSIONS
 FOR REF ONLY

TOLERANCE IN INCHES
 LINEAR ± 0.13 in / ± 3.3 mm
 ANGLES $\pm 1^\circ$

(X.XX) = REF DIMS
 NO TOLERANCE IMPLIED

TSC = THEORETICAL SHARP CORNER

DIMENSIONS ACROSS CENTERLINES
 TO BE SYMMETRICAL

EAW www.eaw.com

TITLE:
 DWG CUSTOMER
 SB2001 CASTER PALLET
 [MECHANICAL SPECIFICATION]

A

SHEET 1 OF 1

SCALE:
 0.060

DRAWING NUMBER: 2034734-CD REVISION: B

1

2

3

4

PRO ENGINEER