

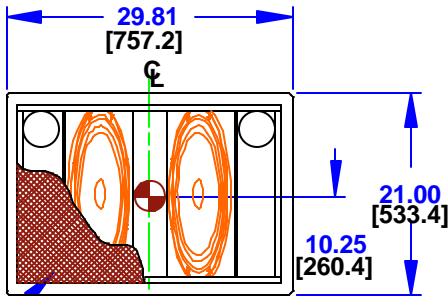


NOTES:

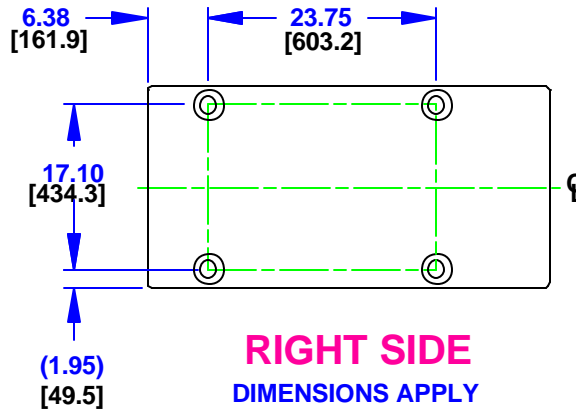
1. SYMBOL  INDICATES MOUNTING POINT, 3/8-16 THREADED HOLE (PI ANGLE).
2. SYMBOL  INDICATES CENTER OF BALNCE.
3. WEIGHT APPROX. 162 lbs. [73.5 kgs]
4. SHIPPING WEIGHT APPROX. 189 lbs [85.7 kgs]

REV	DESCRIPTION	APVD/DATE
A	RELEASED TO PRODUCTION FROM PROTOTYPE REV (1) PER MCOWHT1375 DM 4/5/04	RS 4/7/04
B	REVISED PER ECOWHT3743 JAB 2/22/05	R.S. 2/24/05



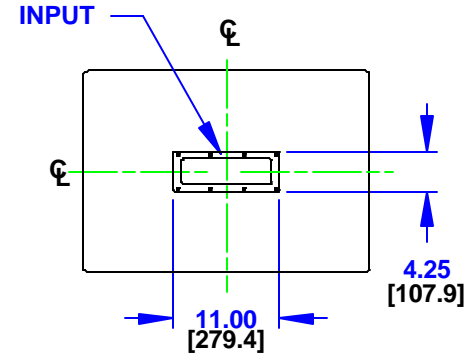
FRONT

GRILLE PARTIALLY SHOWN

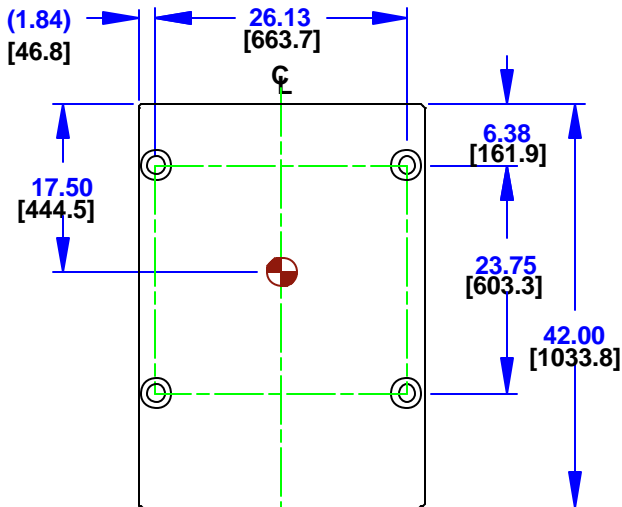


RIGHT SIDE

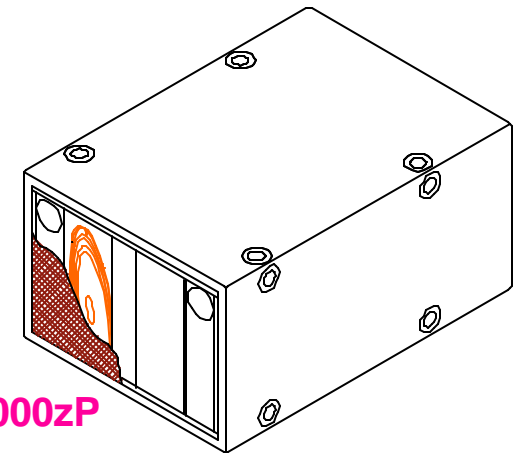
DIMENSIONS APPLY TO BOTH SIDES



BACK

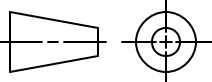


TOP/BOTTOM



SB1000zP

DOCUMENT CONTROL PER SPECIFICATION 4.5.201

<p>THIRD ANGLE PROJECTION</p> 	<p>UNLESS OTHERWISE SPECIFIED ALL DIMENSIONS ARE: INCHES [MILLIMETERS]</p> <p>TOLERANCES</p> <p>LINEAR ± 0.13 in/± 3.3 mm</p> <p>ANGLES ± 1°</p> <p>(X.XX) = REF DIMS</p> <p>NO TOLERANCE IMPLIED</p> <p>T.S.C.=THEORETICAL SHARP CORNER</p> <p>DIMENSIONS ACROSS CENERLINES TO BE SYMMETRICAL</p>		<p>STATUS: PRODUCTION</p>		<p>EA EASTERN ACOUSTIC WORKS</p> <p>ONE MAIN STREET</p> <p>WHITINSVILLE, MA 01588 USA</p>
	<p>THIS DRAWING IS THE PROPERTY OF EAW AND SHALL NOT BE COPIED, REPRODUCED, OR USED AS THE BASIS FOR MANUFACTURE OR SALE OF APPARATUS WITHOUT WRITTEN AUTHORIZATION. DO NOT SCALE DRAWING.</p>	<p>APPROVALS</p> <p>DRAWN: DM</p> <p>CHECKED: RS</p> <p>DES ENG: TW</p> <p>MFG ENG: DBD</p>	<p>DATE</p> <p>3/15/04</p> <p>4/8/04</p> <p>4/12/04</p> <p>4/12/04</p>	<p>TITLE:</p> <p>CABINET/FINISHED/SB1000zP [MECHANICAL SPECIFICATION]</p>	
			<p>A SHEET 1 OF 1</p>	<p>SCALE: 1 TO 20</p>	<p>DRAWING NUMBER: 509027</p>
			<p>REVISION: B</p>		