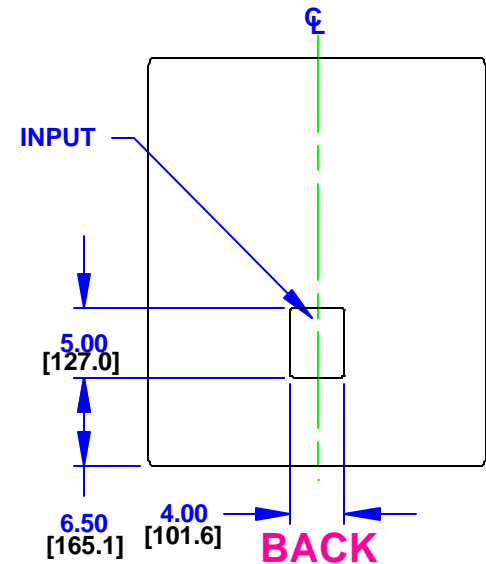
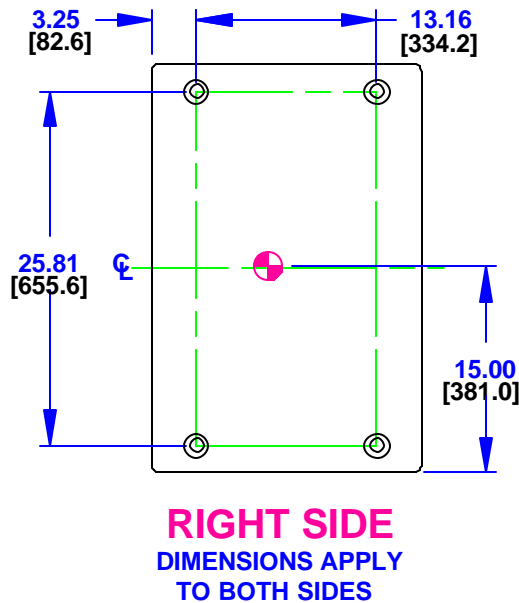
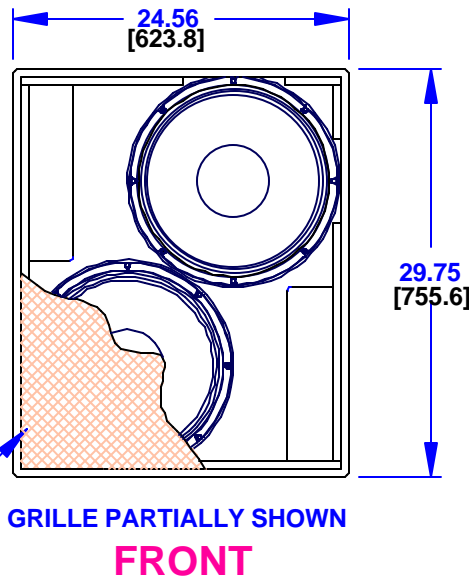
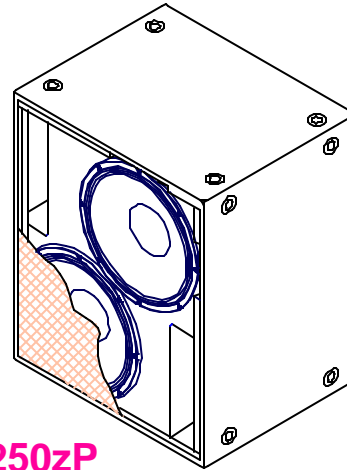
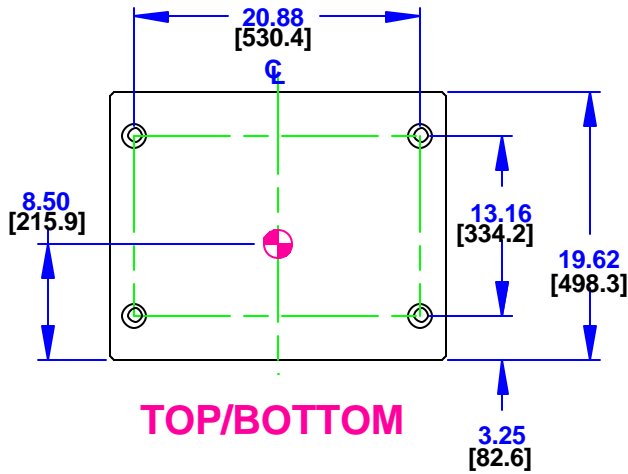


REV	DESCRIPTION	APVD/DATE
A	NEW ISSUE PER MCOVHT1386 DM 5/5/04	5/28/04
B	REVISED PER ECOVHT3743 JAB 2/22/05	R.S. 2/24/05

NOTES:

1. SYMBOL \odot INDICATES MOUNTING POINT, 3/8-16 THREADED HOLE (PI ANGLE).
2. SYMBOL \oplus INDICATES CENTER OF BALANCE.
3. WEIGHT APPROX. 112 lbs [50.8 kgs]
4. SHIPPING WEIGHT APPROX. 122 lbs [55.3 kgs]



DOCUMENT CONTROL PER SPECIFICATION 4.5.201

<p>THIRD ANGLE PROJECTION</p>	<p>UNLESS OTHERWISE SPECIFIED ALL DIMENSIONS ARE: INCHES [MILLIMETERS]</p> <p>TOLERANCES</p> <p>LINEAR ± 0.13 in/± 3.3 mm</p> <p>ANGLES $\pm 1^\circ$</p> <p>[X.XX] = REF DIMS NO TOLERANCE IMPLIED</p> <p>T.S.C. = THEORETICAL SHARP CORNER</p> <p>DIMENSIONS ACROSS CENTERLINES TO BE SYMMETRICAL</p>	<p>STATUS: PRODUCTION</p>		<p>EA EASTERN ACOUSTIC WORKS ONE MAIN STREET WHITINSVILLE, MA 01588 USA</p>
		<p>APPROVALS</p> <p>DRAWN: DM</p> <p>CHECKED: RS</p> <p>DES ENG: BP</p> <p>MFG ENG: SM</p>	<p>DATE</p> <p>4/5/04</p> <p>5/28/04</p> <p>6/1/04</p> <p>6/2/04</p>	
<p>THIS DRAWING IS THE PROPERTY OF EAW AND SHALL NOT BE COPIED, REPRODUCED, OR USED AS THE BASIS FOR MANUFACTURE OR SALE OF APPARATUS WITHOUT WRITTEN AUTHORIZATION. DO NOT SCALE DRAWING.</p>			<p>A SHEET 1 OF 1</p>	<p>SCALE: 1 TO 14</p>
<p>DRAWING NUMBER: 0008963</p>				<p>REVISION: B</p>