
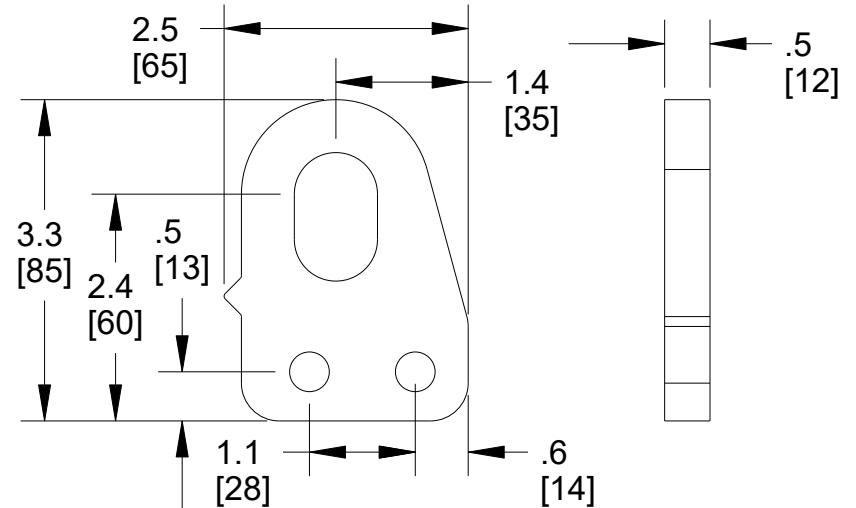
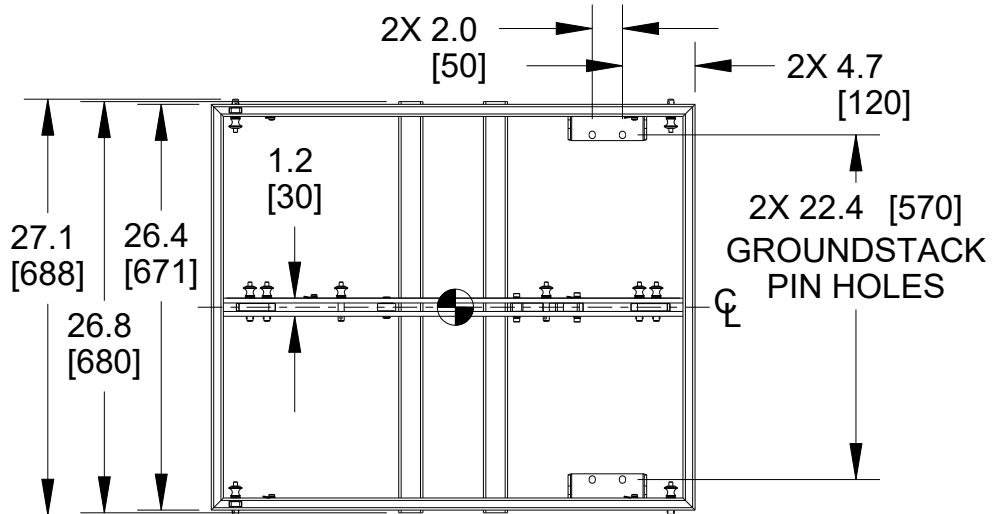


**NOTES:**

1. DRAWING IS NOT FOR MANUFACTURING
2.  INDICATES CENTER OF GRAVITY
3. WEIGHT APPROXIMATELY 48.2 lb [21.9 kg]
4. SHIPING WEIGHT APPROX. 54 lb [24 kg]

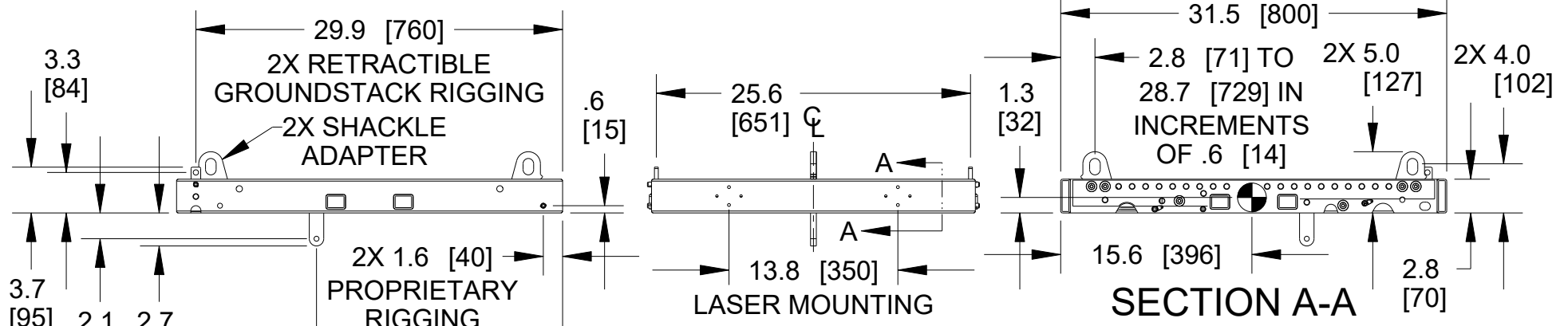
| REV | CHANGE NUMBER | DATE   |
|-----|---------------|--------|
| A   | ECOEAW0725    | 3/1/21 |

C

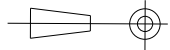


**SHACKLE ADAPTER**  
SCALE 0.500

B



A

|   |   |  |                         |
|---|---|--|-------------------------|
| <p>THIRD ANGLE PROJECTION</p>               | <p>UNLESS OTHERWISE SPECIFIED:<br/>ALL DIMENSIONS ARE IN INCHES<br/>DUAL [MM] DIMENSIONS<br/>FOR REF ONLY</p> <p>TOLERANCE IN INCHES<br/>LINEAR <math>\pm 0.13</math> in / <math>\pm 3.3</math> mm<br/>ANGLES <math>\pm 1^\circ</math></p> <p>(X.XX) = REF DIMS<br/>NO TOLERANCE IMPLIED</p> <p>TSC = THEORETICAL SHARP CORNER</p> <p>DIMENSIONS ACROSS CENTERLINES<br/>TO BE SYMMETRICAL</p> | <p><b>EAW</b> www.eaw.com</p>                            |                         |
|   |   | <p>TITLE:<br/><b>DWG CUSTOMER<br/>NTX210L FLYBAR</b></p> |                         |
| <p>THE INFORMATION<br/>CONTAINED HEREIN IS<br/>PROPRIETARY AND<br/>CONFIDENTIAL<br/>PROPERTY OF EAW<br/>ALL RIGHTS RESERVED</p> | <p>DRAWING NUMBER:<br/><b>2071074-CD</b></p>  | <p><b>A</b> SHEET 1 OF 1</p>                             | <p>SCALE:<br/>0.080</p> |
|   |   | <p>REVISION:<br/><b>A</b></p>                            |                         |