

# AC6 Pole Mount Instructions

These instructions are for the various ways to install the AC6 pole mount kit. There are three available mounting options with this kit:

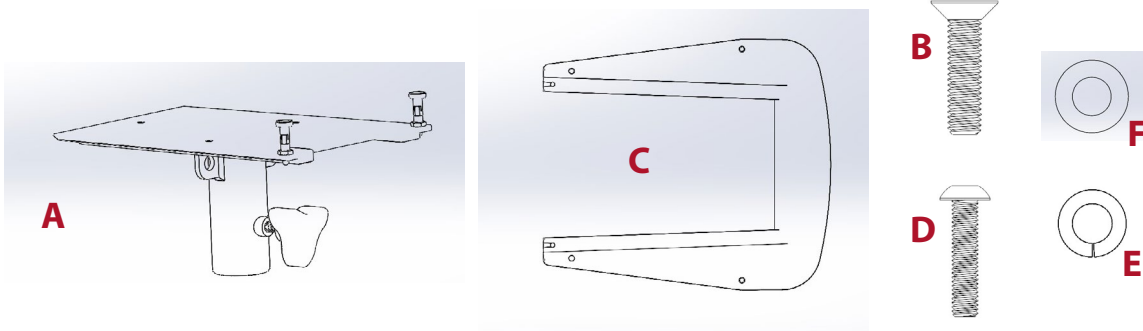
- Pole Mount installed with slide plate and screws as support
- Pole Mount with screws only
- Pole Mount with slide plate and no screws

## PREPARATION

1. Confirm the configuration of the AC6 arrays:
  - Number and location of AC6 column arrays to be deployed
  - Location and quantity of audio, network, and power cabling needed
2. Ensure that speaker stands are rated to hold weight of AC6 (70lbs)

Available Parts (**NOTE:** These are not part of a kit)

Part #	Part Name	Quantity	Reference
2072035-9999	ASSY POLE MOUNT PLATE	1	A
2071924	M5X20 FLH SKT SS BLK	4	B
2071918-9999	Slide Plate	1	C
2072040	SCREW M5X22 BH SS BLK ZC	3	D
0016417	WASHER LOCK M5 BLK	3	E
2071679	WASHER FLAT M5 SS BLK ZC	3	F



# AC6 Pole Mount Instructions

## Required Tools & Supplies

- 3mm Allen Wrench

## Install Pole Mount with screws and slide plate

### 1. Attach slide plate to bottom of AC6

- Remove 4x M5x20 outer screws from bottom of AC6 for slide plate(Figure 1).
- Position Slide Plate over open holes, then use screws (B) to secure slide plate to the cabinet (Figure 2))
- Remove 3x M5x20 inner screws from bottom of AC6 for pole mount plate.

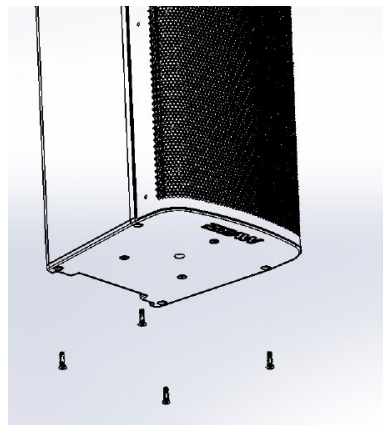


Figure 1 - Remove screws

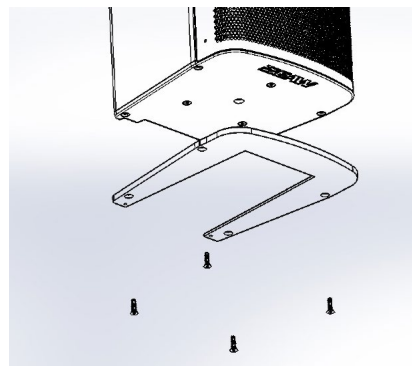


Figure 2 - Install Slide Plate

### 2. Slide Pole Mount Plate into Slide Plate (Figure 3)

### 3. Install flat washers (F), locking washers (E) and M5x22 screws (D) to secure Pole Mount Plate in place (Figure 4)

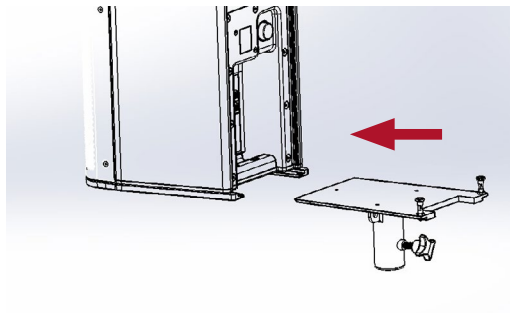


Figure 3 - Slide Pole Mount into place

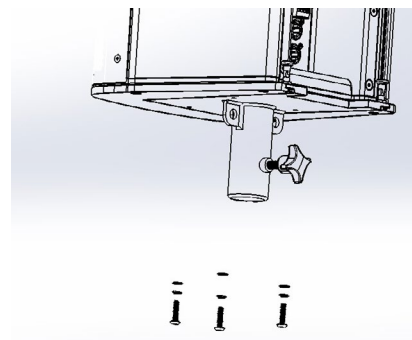


Figure 4 - secure screws and washers to Pole Mount & Cabinet

# AC6 Pole Mount Instructions

## Install Pole Mount with screws and **NO** slide plate

1. Attach Pole Mount to bottom of AC6
  - Remove 3x M5 inner screws from bottom of AC6 for pole mount plate.
  - Position Pole Mount Plate on bottom of AC6 (Figure 5).
  - Secure plate into place using M5X2 screws (D), lock washer (E), and flat washer (F) (Figure 6)

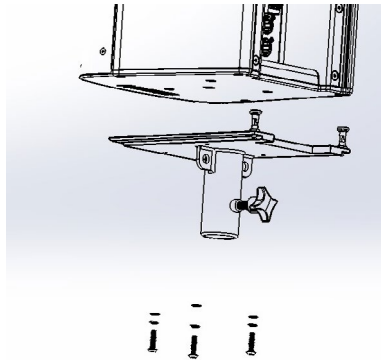


Figure 5 - Position Pole Mount Plate

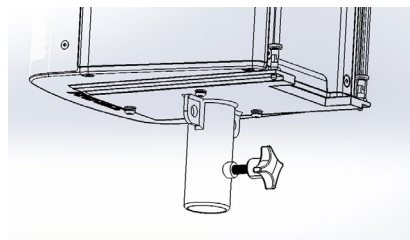


Figure 6 - Pole Mount, No slide plate

## Install Pole Mount with **NO** screws and slide plate only

1. Attach slide plate to bottom of AC6
  - Remove 4x M5 screws from bottom of AC6 (Figure 7).
  - Position Slide Plate over open holes, then use 4x M5x20 (B) to secure slide plate to the cabinet (Figure 8)
2. Slide Pole Mount Plate into Slide Plate (Figure 9)

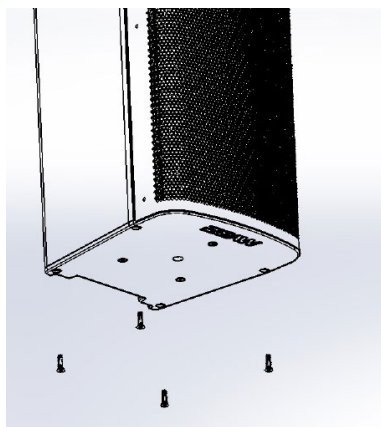


Figure 7 - Remove screws

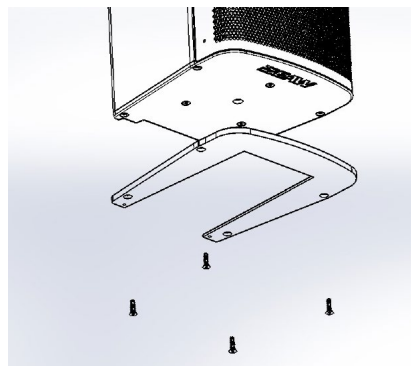


Figure 8 - Install Slide Plate

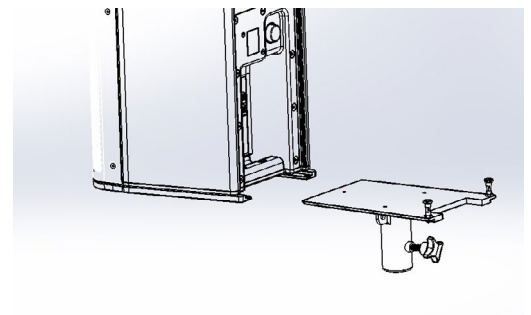


Figure 9 - Slide Pole Mount into place